

苏州汇川联合动力系统有限公司

Suzhou Inovance Automotive Co., Ltd.



苏州汇川联合动力系统有限公司
Suzhou Inovance Automotive Co., Ltd.

地址: 苏州市吴中区越溪天鹅荡路52号

Add.: No.52, Tianedang Road, Yuexi Town, Wuzhong District, Suzhou 215104, P.R.China

客服 (Hotline): 400-777-1260

www.inovance.com



汇川联合动力



汇川技术

V4.0
资料编码 L6210124

由于本公司持续的产品升级造成的内容变更, 恕不另行通知
版权所有 © 深圳市汇川技术股份有限公司
Copyright © Shenzhen Inovance Technology Co., Ltd.



苏州汇川联合动力系统有限公司, 原汇川技术汽车电子事业部, 自2008年以来开始经营新能源动力及电源产品业务, 并在2016年成立独立子公司, 现为汇川技术全资子公司。

汇川联合动力拥有完善的动力及电源产品解决方案, 超过35万台的丰富应用案例, 超过800人的高素质研发团队, 是国内首家获得ISO26262认证的电控厂家, 致力于成为全球一流的新能源汽车动力及电源产品系统解决方案供应商。

Suzhou Inovance Automotive, formerly the Automotive Electronics Department of Inovance, has been devoted to providing all electronic and mechanical components of ePowertrain since 2008, and became a wholly-owned subsidiary of Inovance in 2016.

With a full range of drive and power solutions, 350,000 application cases and a high-performance R&D team with 800 experts, Inovance Automotive is China's first ISO26262-certified inverter manufacturer and is devoted to providing world-class NEV drive and power solutions.



汇川联合动力有限公司办公大楼 Office building of Inovance Automotive



汇川技术公司办公大楼 Office building of Inovance Technology

我们的愿景

Vision

全球一流新能源动力总成及电源产品系统解决方案供应商

- 顶尖创新实力
- 垂直一体化策略
- 以客户需求为导向
- 树立汽车行业新标杆

To be a world-leading provider of NEV drive and power solutions

- Superior innovation ability
- Vertical integration
- Customer-oriented
- A benchmark in the NEV industry

我们的理念

Values

与全球最佳合作伙伴建立联盟关系, 实现共赢

研发:

展开国际化合作, 利用开放的平台, 保证开发过程严格保密

供应链:

采用关键供应商战略合作理念, 全供应链利用汇川工业自动化技术, 并在公司发展中期建立海外生产基地

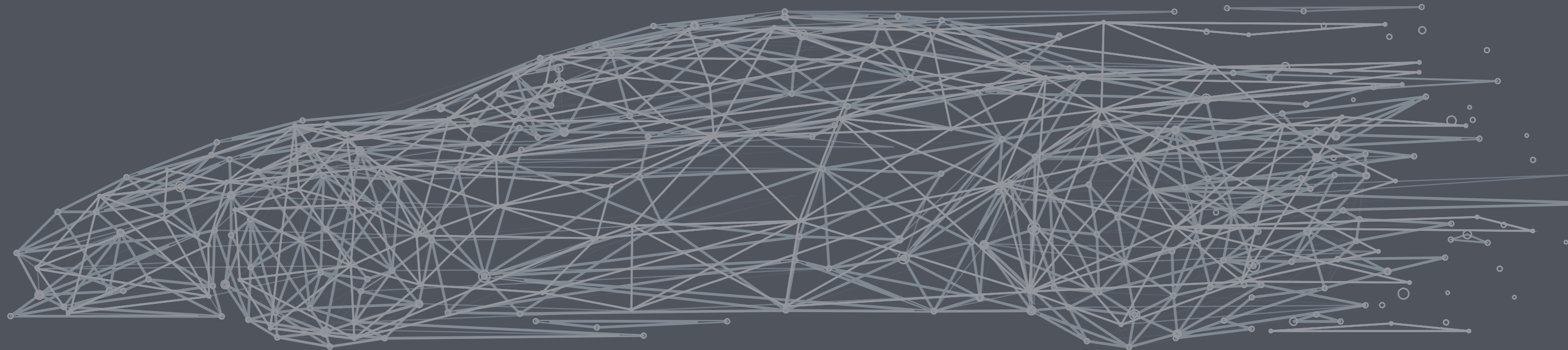
Establish win-win relationship with global valuable partners.

R&D:

Global cooperation, open yet secure

Supply chain:

Cooperate with key suppliers and equip the whole supply chain with Inovance's industrial automation technologies. Establish oversea production bases in the company's mid stage



发展历程

Development History

十多年的发展，
汇川联合动力已然成为新能源汽车产业里不可或缺的一员。

With 10 years' growth,
Inovance Automotive has become an important player in the new energy vehicle industry.

2008



成立新能源部门，为吉利熊猫提供电机控制器
New energy department founded, providing motor controller for GEEELY Panda

2010



为江淮、海马、众泰提供电机控制器
Develop controller for JAC IEV / Haima / Premacy

2012



与宇通达成战略合作
Signed cooperation agreement with Yutong

2013



开发压铸一体化控制器
Die-casting integrated controller platform for CV

2015



开发压铸一体化控制器
New generation controller platform for PV

2016

INOVANCE
Automotive

苏州汇川联合动力系统有限公司成立
Inovance Automotive Co., Ltd. was established

2017



国产化HSM电机
Localization of HSM motor
开发乘用车DCDC
New generation DCDC converter for PV

2018



主流乘用车企定点
Became fixed supplier for major PV manufacturers

技术优势 Expertise

汇川联合动力拥有一支超过**800人**高素质的研发团队，均采用行业领先的**仿真研发工具**进行正向开发，产品研发实力雄厚。

With over 800 experts and industry-leading simulation tools, Inovance Automotive's R&D team keep developing knockout products.



平台优势 Platform Advantage

行业领先的实验室和实验平台，保证实现产品各项性能。

Industry-leading labs and experimental platforms ensure top-tier product performance.



行业权威机构的认可 Certificates



质量管理优势 Quality Management

产品研发、生产过程、市场服务等各个环节采用**世界领先标准**进行质量管理，保证高品质的服务用户。

Our world-leading quality management standards, which covers all stages including R&D, production and marketing and service, allow us to provide customers with high-quality products and services.



供应链优势 Supply Chain



高端、智能的自动化生产线制造高品质产品

- 产线设计100%自主知识产权
- 高度自动化生产, 保证产品一致性
- 领先制造工艺, 保证产品品质

High-quality Products rolling off sophisticated and smart automated production lines

- Design with 100% independent intellectual property rights
- Full automation ensures product consistency
- Superior manufacture technologies ensure product quality

生产全过程匹配先进的加工检测设备保证产品过硬品质

- 材料高温检测系统
- 精密气密测试系统
- 精密EOL测试系统
- 测试精密对接平台
- 整机100%气密检测
- 整机100%EOL测试
- 整机100%安规测试

Sophisticated processing and inspection equipment ensure excellent quality

- High-temperature materials testing system
- Precision air-tightness testing system
- Precision EOL testing system
- Precision test auto-connection platform
- 100% equipment air-tightness testing system
- 100% equipment EOL testing system
- 100% equipment safety testing system



服务优势

Service Highlight

汇川联合动力保障你的出行
快速便捷的服务24小时快速响应

Inovance Automotive
safeguards your trip
and provides 24-hour quick response

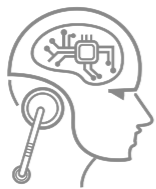
- 536 家签约合作服务站,覆盖30个省,262个地级市
- 22 个服务办事处
- 已建成 9 个区域备件库

- 536 contracted service stations covering 30 provinces and 262 cities
- 22 service offices
- 9 regional spare part stockhouses



汇川联合动力
打造优质的新能源乘用车零部件产品

Inovance Automotive
produces high-quality new energy parts
and components for new energy vehicles



雄厚的技术实力
Strong technical strength



严谨的质量管理体系
Rigorous quality management system



精益求精的工艺要求
Perfection-seeking process criteria



全自动化的生产线
Fully automated production line

汇川联合动力为新能源乘用车匹配智慧大脑
Inverter

高紧凑性 高经济性 高安全性

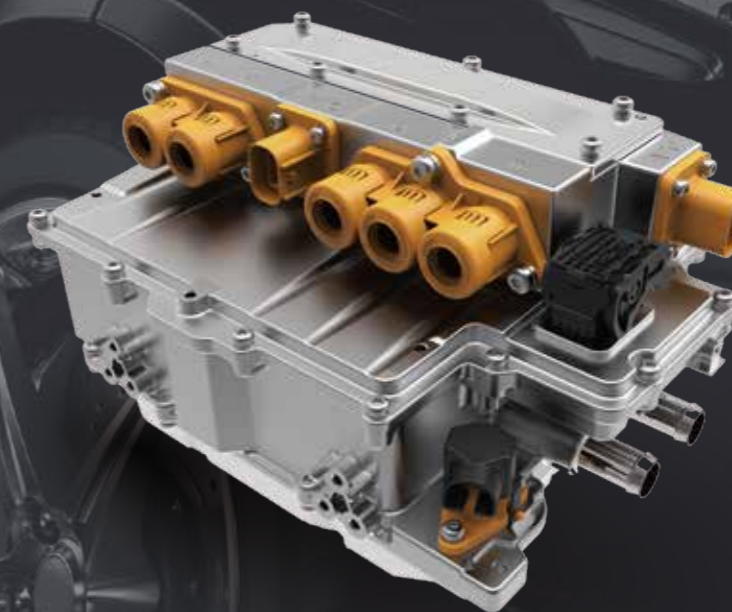
- Compact
- Economical
- Safe

驱动电机控制器 [PD22(含DC/DC)]

- 电压范围:180-450V
- 峰值电流:500Arms
- 安全等级:ASIL C
- EMC等级:Class 3
- 最高效率:99.0%

Inverter [PD22 (with DC/DC)]

- Voltage range:180V-450V
- Peak current:500 Arms
- Functional safety:ASIL C
- EMC: Class 3
- Max. efficiency:99.0%



汇川联合动力为新能源乘用车打造澎湃动力
Traction Motor

低噪音轻量化 高功率密度 高效率 高安全性

- Quiet and light
- High power density
- Efficiency
- Safety rating

驱动电机 [PM30]

- 防护等级:IP67
- 峰值转速:12000rpm
- 峰值扭矩:300Nm@30s
- 峰值功率:130KW@320V

Traction motor [PM30]

- IP rating :IP67
- Peak speed :12000rpm
- Peak torque:300Nm@30s
- Peak power:130KW@320V



汇川联合动力为新能源乘用车提供双向能源通道
OBC+DC/DC

集成度高 功率密度大 环境适应性强

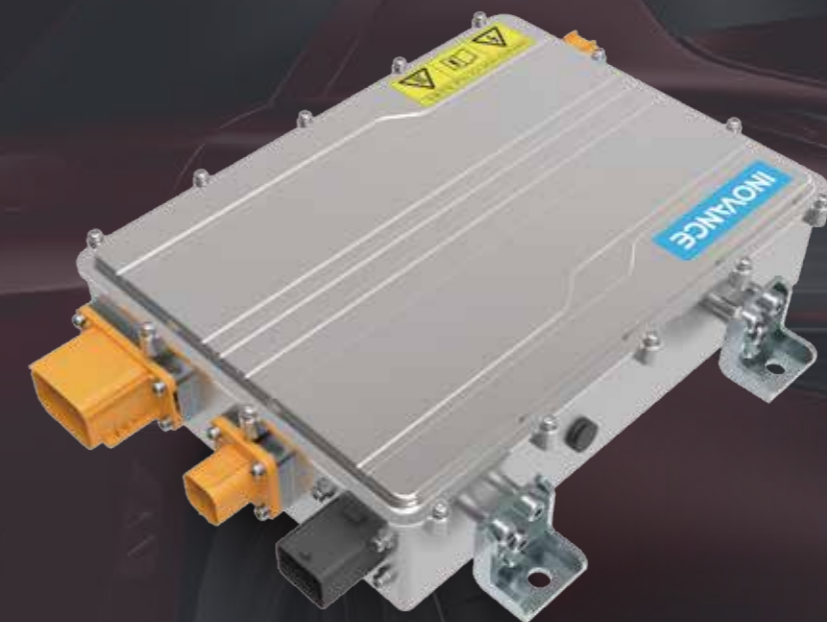
- High integration
- Power-density
- Environmental robustness

电源二合一[PC35]

- IP防护等级:IP67/IP6K9K
- 冷却液温度:-40°C ~ +65°C
- OBC输出电压范围:195-480VDC
- OBC最大输出电流:36A
- DC/DC输出电压范围:10.5-15.5VDC
- DC/DC最大输出电流:210A@+20 °C ~ +65°C

2-in-1 power supply[PC35]

- IP rating:IP6K7/IP6K9K
- Coolant temperature:-40°C to +65°C
- OBC Output voltage range:195-480VDC
- OBC Max. output current:36A
- DC/DC Output voltage range:10.5-15.5 VDC
- DC/DC Max. output current: 210 A @ +20°C to +65°C



汇川联合动力为新能源乘用车打造精巧动力总成系统
e-Axle

安全性高 系统效率高 产品灵活度高

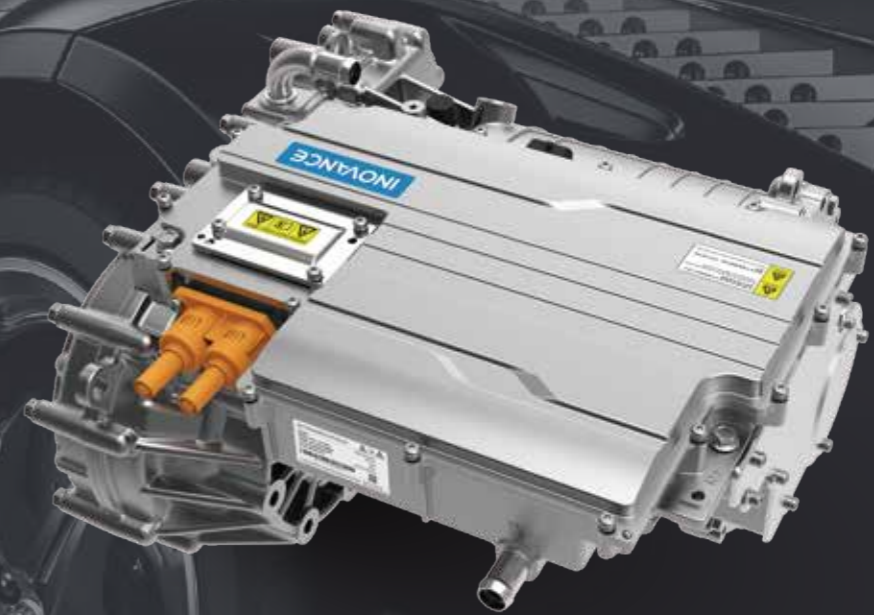
- High safety rating
- System efficiency
- Flexibility

动力总成系统 [PS3002]

- 防护等级:IP67, IP6K9K
- 工作环境温度:-40~85°C
- 电压范围:270~465V
- 轮边峰值功率:130~150KW@350VDC
- 轮边峰值扭矩:3000~3900Nm
- 最高效率:93.5%

e-Axle [PS3002]

- IP rating:IP67, IP6K9K
- Operating ambient temperature: -40~85°C
- Voltage range:270~465V
- Wheel-side peak power:130~150KW@350VDC
- Wheel-side peak torque:3000~3900Nm
- Max. efficiency:93.5%



汇川联合动力根据不同需求
为新能源商用车打造专属的动力总成解决方案

Inovance Automotive's
powertrain solutions tailored
for new energy commercial vehicles

